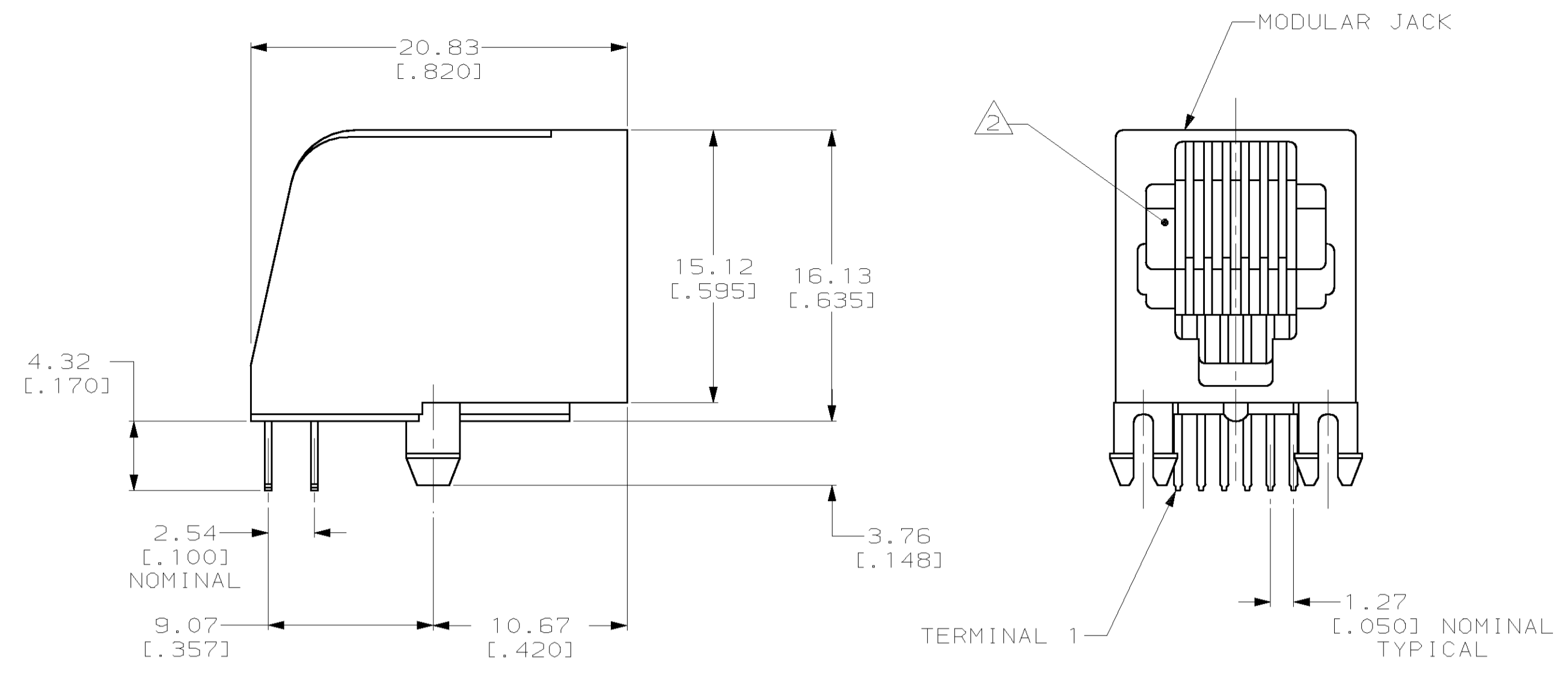
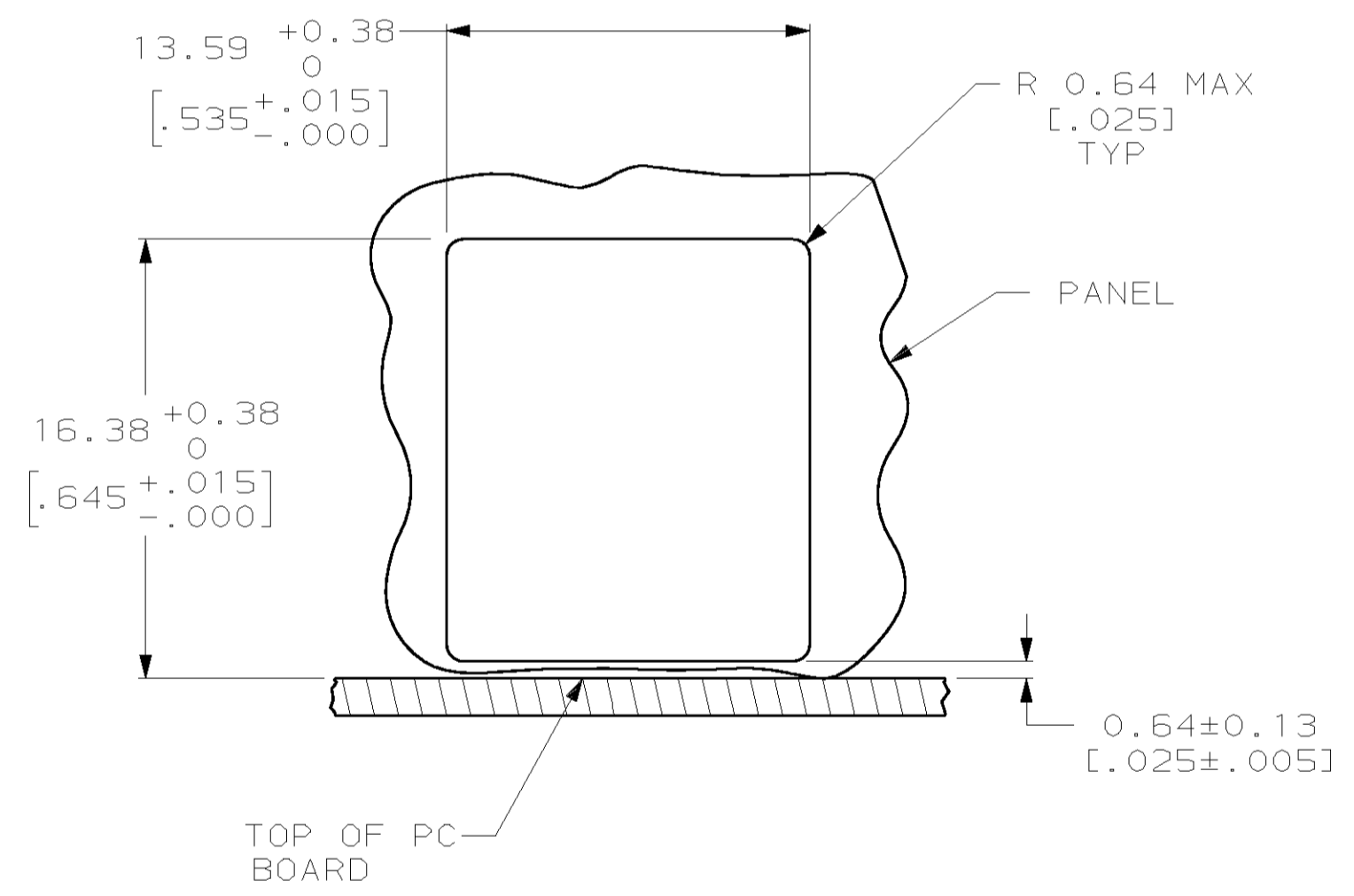
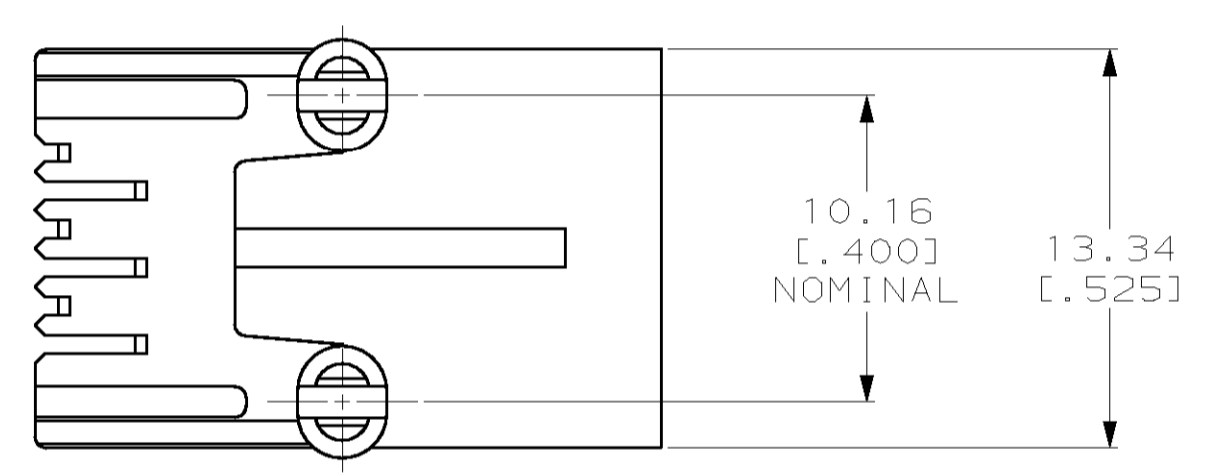


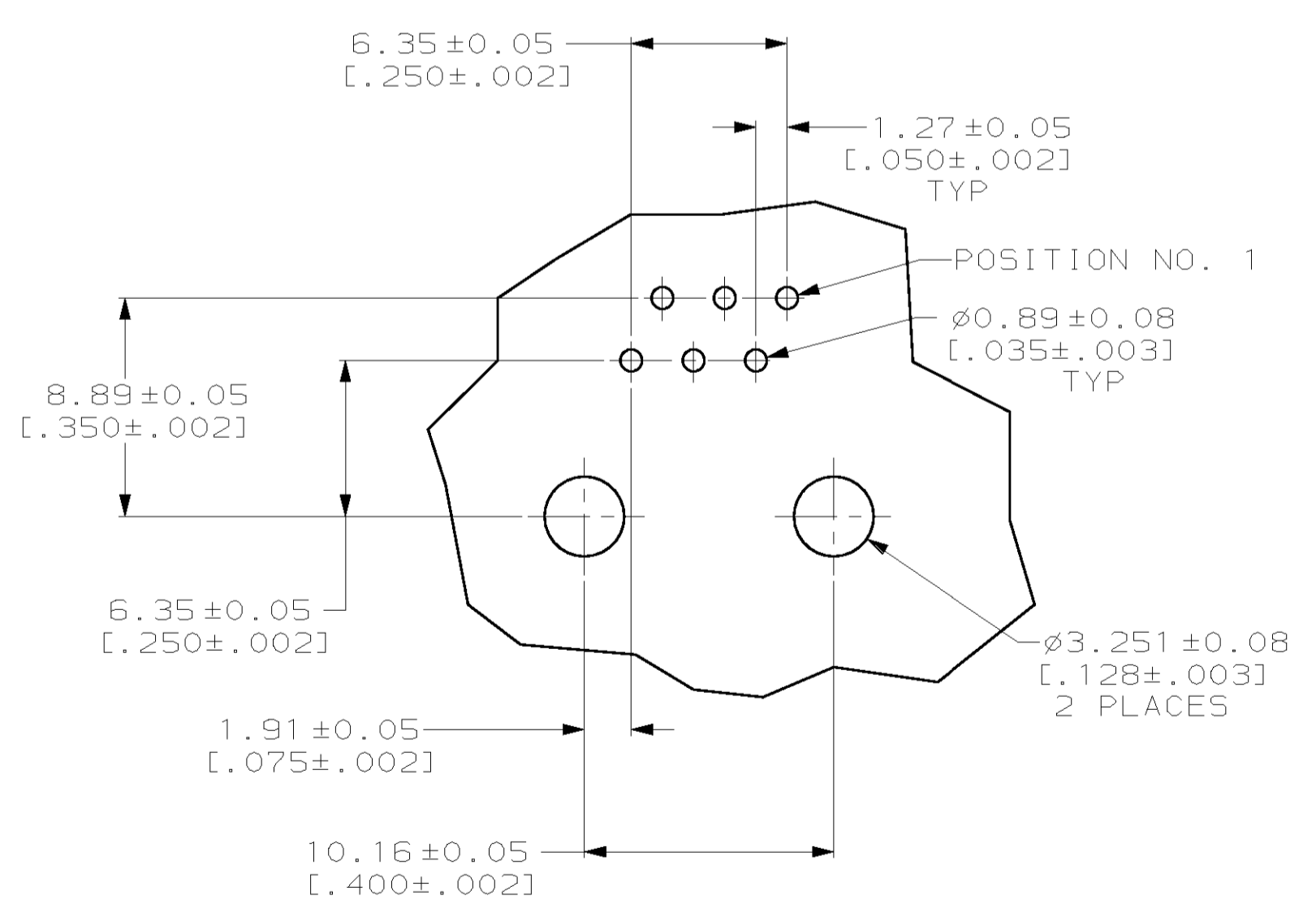
LOC	DIST	REV	DATE	BY	APPV
AA	22	G	5-26-95	ST	BF



- 1 MATERIAL: HOUSING - PBT POLYESTER, BLACK TERMINAL - 0.35[.0138] THICK PHOS-BRONZE PLATED WITH 1.27µm[.000050] MINIMUM THICK HARD GOLD IN LOCALIZED GOLD PLATE AREA AND 3.81µm[.000150] MINIMUM THICK TIN-LEAD IN SOLDER AREA OVER 1.27µm[.000050] MINIMUM THICK NICKEL UNDERPLATE.
- 2 CAVITY CONFORMS TO FCC RULES AND REGULATIONS PART 68 AND REA BULLETIN 345-81, PE-76 SPECIFICATION FOR MODULAR TELEPHONE HARDWARE.
- 3 DIMENSIONS ARE MAXIMUM UNLESS OTHERWISE SPECIFIED.
- 4 TERMINALS LOCATED IN CENTER TWO POSITIONS ARE FOR 520470-4.



PANEL CUTOUT



PRINTED CIRCUIT BOARD LAYOUT
NONCOMPONENT SIDE SHOWN

2 / 4	520470-4
6	520470-3
CONTACTS	PART NUMBER

THIS DRAWING IS A CONTROLLED DOCUMENT.		DWN S. TUCKER 5-26-95	AMP Incorporated Harrisburg, PA 17105-3608
DIMENSIONS: mm [INCHES]		CHK B. FOX 5-26-95	
TOLERANCES UNLESS OTHERWISE SPECIFIED:		APPV J. TONEY 5-26-95	NAME MODULAR JACK ASSEMBLY, SIDE ENTRY, 6 POSITION, FLANGELESS
0 PLC ±		PRODUCT SPEC 108-1163	
1 PLC ±		APPLICATION SPEC 114-2048	SIZE A1
2 PLC ±		WEIGHT	CAGE CODE 00779
3 PLC ±		CUSTOMER DRAWING	DRAWING NO 520470
4 PLC ±		SCALE 4:1	RESTRICTED TO -
ANGLES ±		SHEET 1 OF 1	REV 6